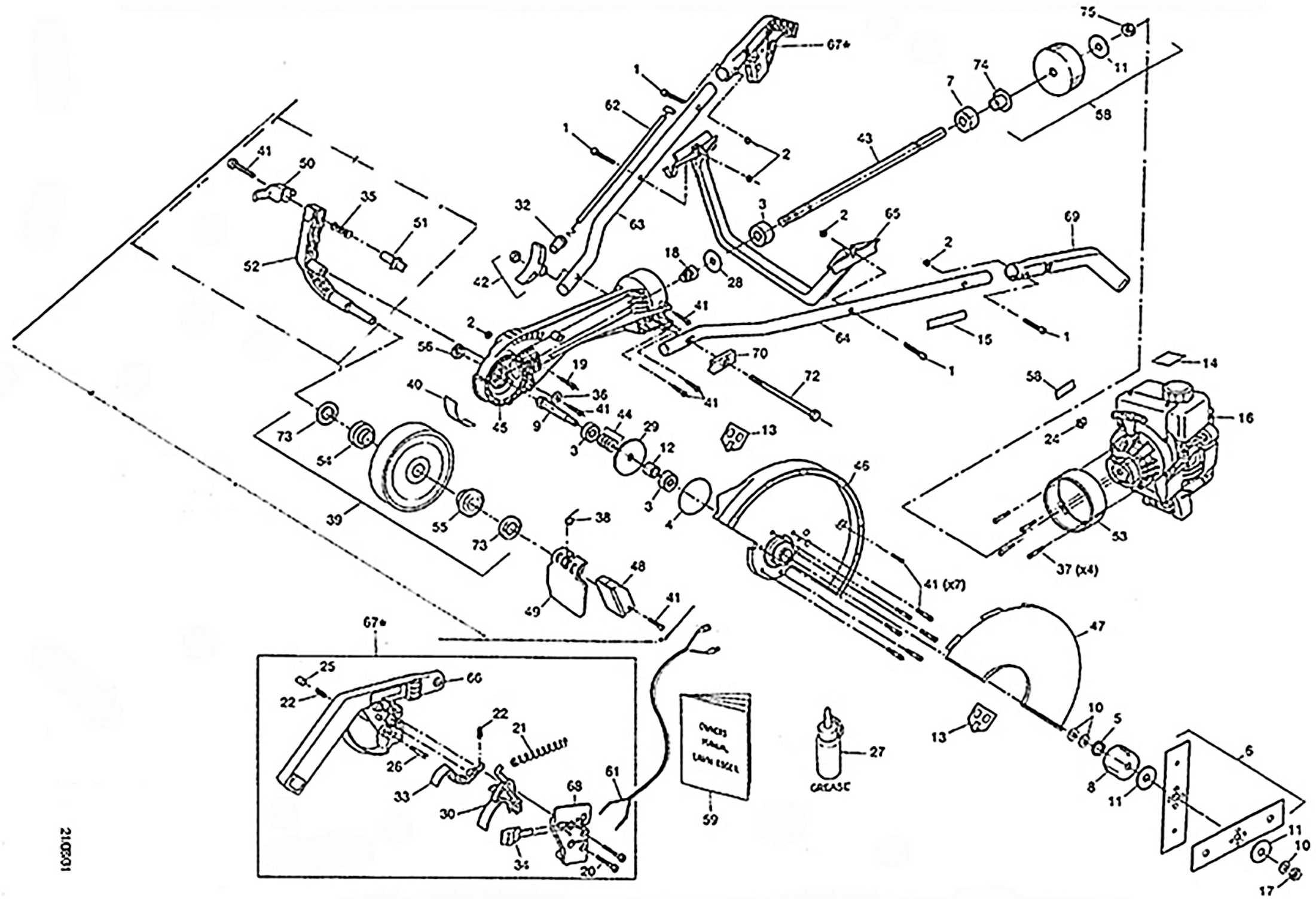


ATOM 410 EDGER WITH A31-2 RYOBI ENGINE



ATOM MODEL: 410 EDGER with A31-2 Ryobi engine

PART NO: 20410

| Key | Part No | Substitute Part No | NLA | Description | Key | Part No | Substitute Part No | NLA | Description | Key | Part No | Substitute Part No | NLA | Description |
|-----|---------|--------------------|-----|---------------------------|-----|---------|--------------------|-----|-------------------------------|-----|---------|--------------------|-----|----------------------------|
| 1 | 40650 | | | SCREW M5x36 TORX-25 | 34 | 43294 | | X | SWITCH SLIDE RED | 66 | 44065 | 63433AG | | ASSY RH HANDLE |
| 2 | 40652 | | | NUT NYLOC M5 | 35 | 43452 | | | SPRING HT ADJ ARM COMPR | 67 | 44068 | 663343AK | X | TRIGGER ASSY |
| 3 | 40835 | 63474 | | BEARING 32x10x12 | 36 | 43484 | | | WASHER 22.43x5.94 | 68 | 44069 | 43294 | X | HANDLE HOUSING RH |
| 4 | 40906 | 65164 | | O-RING 63x2.0 | 37 | 43600 | | | SCREW MTD 4.5x18mm | 69 | 44070 | 63472WP | | HANDLE LH DOMESTIC |
| 5 | 42112 | | X | (NLA) SEAL FELT | 38 | 43719 | | | SPRING DEFLECTOR DEBRIS | 70 | 44064B | 63187BN | | CAPTIVE PLATE 1/4 HEX BOLT |
| 6 | 43089 | 43105 | | BLADE SET 10.7x1.6mm | 39 | 43759 | 63436WPK | | ASSY WL+A301/410/415/550-6.5m | 71 | 44072 | | X | CARBY ADJUSTER FOR MTD |
| 7 | 43108 | | | BEARING 6301-2RS 37x12x12 | 40 | 43787 | | X | SHIELD EDGER BODY | 72 | 44074 | | | BOLT HANDLE 6 |
| 8 | 43112 | | | DRUM BLADE | 41 | 43790 | | | SCREW M5.5 x 22 | 73 | 44078 | | | SEAL LARGE WHEEL |
| 9 | 43114 | 65315A | | BLADE SHAFT ASSY MK3 | 42 | 44003 | 63488A | | ASSY HANDLE KNOB+NUT | 74 | 43980 | 64119 | | HUB SINTERED 11.5mm |
| 10 | 43115 | | | WASHER BLADE BEVEL | 43 | 44015 | | | WASHER (set of 4 of 43115) | 75 | 43169 | 43163 | | NUT FLANGE 3/8 UNC |
| 11 | 43116 | | | PRO DRUM WASHER 45x12.2x2 | 44 | 44016K | 63864AGN | | SPACER KIT 4 x BEVEL | 76 | 44120 | | X | (NLA)ASSY MTD BODY 410 |
| 13 | 43128 | 64378 | | LABEL WARN BLADE COVER | 45 | 44018 | | X | (NLA)BODY MAIN GREEN | 77 | 44200 | 43294 | X | (NLA)ASSY SWITCH |
| 15 | 43133 | 64378 | | LABEL WARN BLADE COVER | 46 | 44019 | | | INNER COV BLADE GUARD GREEN | 78 | 44034 | | X | (NLA)ASSY BODY 410 |
| 16 | 43164 | | | ENG SHORT A31-1/2 | 47 | 44020 | | | OUTER COV BLADE GUARD GREEN | | | | | |
| 17 | 43173 | | | NUT M12 x 1.75 RH | 48 | 44022 | | X | LIMITER DEF DEBRIS GREEN | | | | | |
| 18 | 43178 | 43176 | | GEAR PINION 25.5mm | 49 | 44024 | 47004 | | FLAP GRASS RED | | | | | |
| 19 | 43179 | | | SCREW TRIM COVER M5x39 | 50 | 44028 | | | HANDLE HEIGHT ADJ GREEN | | | | | |
| 20 | 43189 | | | SCREW ST M5x20 | 51 | 44030R | | | PIN RED HEIGHT ADJUST | | | | | |
| 21 | 43198 | | | SPRING TRIGGER COMPRESS | 53 | 44036 | | | MOUNT GREEN ENGINE | | | | | |
| 22 | 43199 | | | SPRING SMALL | 54 | 44035 | 63436WPK | | ASSY WL+A301/410/415/550-6.5m | | | | | |
| 24 | 43201 | | | CONNECTOR TAB | 56 | 44042 | 62936WN | | DUST CAP EDGER | | | | | |
| 25 | 43223 | 43196 | | ASSY THROTTLE TRIG | 58 | 44044 | 44046 | | CLUTCH DRUM KIT (25&32mm) | | | | | |
| 26 | 43224 | 43196 | | ASSY THROTTLE TRIG | 59 | 21775 | | | MANUAL ALL MODELS | | | | | |
| 27 | 43227 | | | GREASE & DISPENSER | 60 | 44045 | 44046 | | CLUTCH DRUM KIT (25&32mm) | | | | | |
| 28 | 43229 | | | WASHER .050 PINION | 61 | 44054 | | X | SWITCH WIRE 410/415 | | | | | |
| 29 | 43240 | 43245 | | GEAR CROWN EDGER/BUSH | 62 | 44051 | | | CABLE THROTTLE Z FITTING | | | | | |
| 30 | 43288 | | | TRIGGER THROTTLE | 63 | 44060 | | | HANDLE TUBE | | | | | |
| 32 | 43291 | | X | (NLA)THROTTLE CABLE CLAMP | 64 | 44061 | 44060 | | HANDLE TUBE | | | | | |
| 33 | 43292 | | | INTERLOCK THROTTLE | 65 | 44062 | 63020WE | | HANDLE CROSS BRACE | | | | | |

For information on the A31-2 Ryobi engine used on this edger go to Ref 760-1 at 'Petrol Engines, Parts and Drawings'